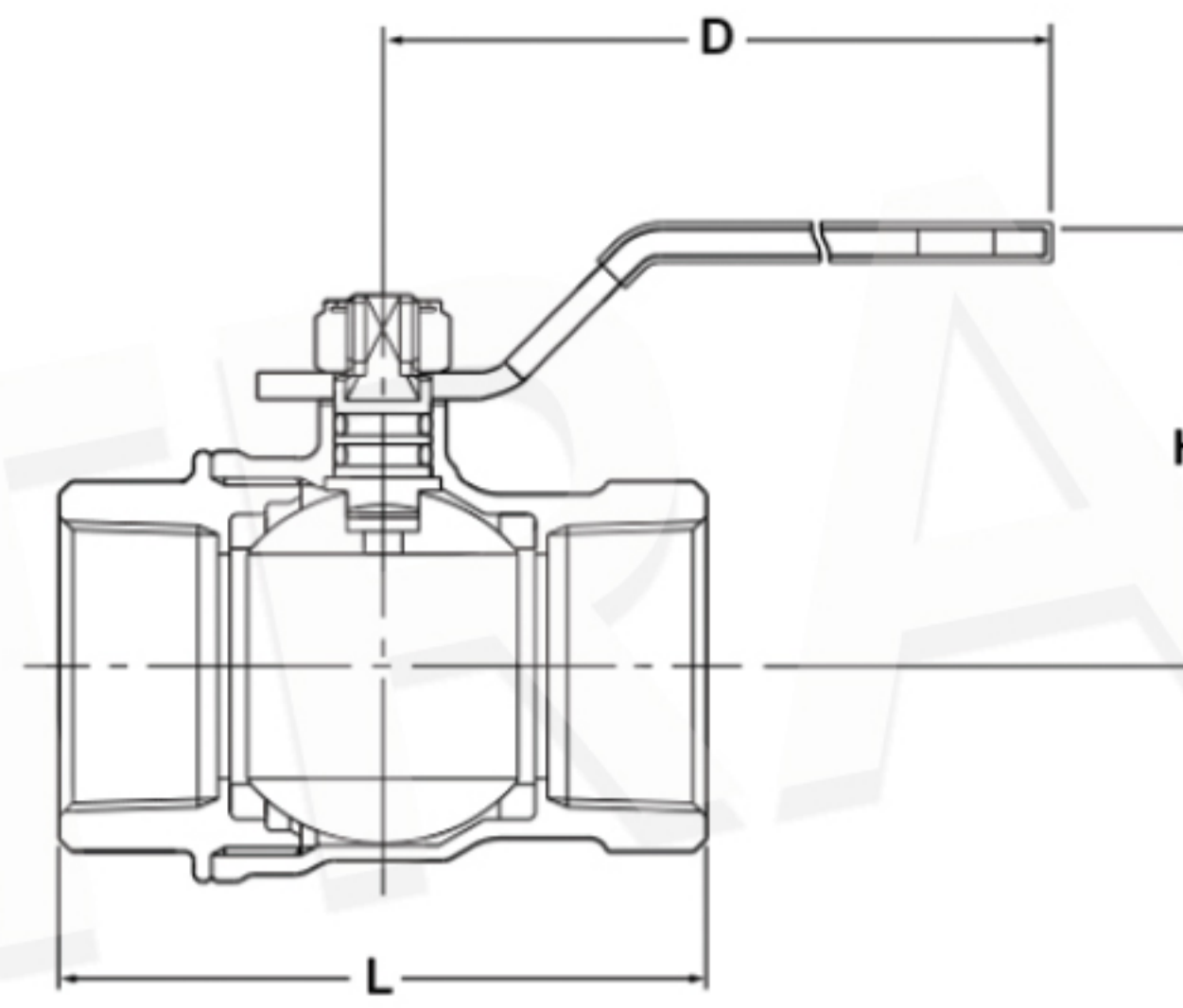


TYPE 600

BRASS BALL VALVE, FULL PORT

Bolted body and cap, Blowout-proof Stem,
Double O-ring stem seals,
Threaded ends to BS21

W.O.G. non-shock 4.14 MPa (600 psi), W.O.G. 150°C 1.03 MPa (150 psi)



Materials

Parts	Material
Body	Brass
Body cap	Brass
Stem	Brass: Nickel plated
Ball	Brass*
Ball seat	PTFE
O-ring	FKM

*Nickel-chrome plated

Dimensions

Nominal Size	inch	1/4	3/8	1/2	3/4	1	1 1/4	1 1/2	2	mm
	mm	8	10	15	20	25	32	40	50	
L		42	42	53	60	72	84	92	110	
H		37	37	40	43	50	55	65	72	
D		70	70	80	80	110	110	150	150	

Fig. SZA

• Threaded end to BS21